

VOC Model (Long Flat)

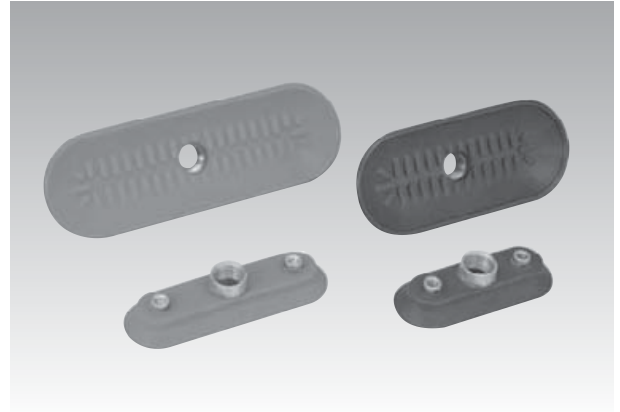
Features and Strengths

Feature and strengths This pad is best suitable for handling long objects with flat or curved surfaces.

Specially, parallel to the surface of the object It has a thick and durable lip.

Suitable for Handling

- Long Objects with Flat
- Curved Surfaces
- Shaped Sheet Metal Pannels
- Automotive Bumper



Order No.

VOC 35x90 N

① ②

① Vacuum pad Ø

VOC11x23	- Ø11x23
● VOC35x90	- Ø35x90
VOC35x110	- Ø35x110
VOC60x140	- Ø60x140
VOC60x180	- Ø60x180

② Material

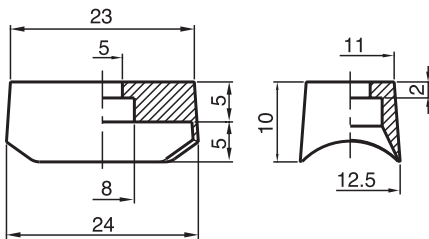
● N	- NBR
S	- Silicon
CS	- C, Silicon
U	- Urethane

Recommended (max.) lifting forces

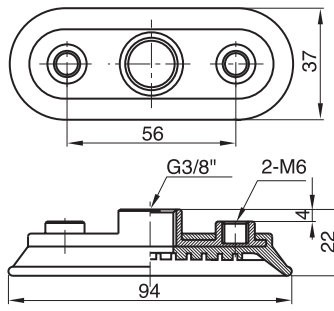
Model	Volume (cm ³)	Lifting Force (kg) -Perpendicular			Lifting Force (kg) -Parallel		
		-20kPa	-60kPa	-90kPa	-20kPa	-60kPa	-90kPa
VOC 11 x 23	2.0	0.61	1.3	1.6	0.6	1.2	1.5
VOC 35 x 90	20	5	13.4	17.4	6.9	16.4	21
VOC 35 x 110	25	6.25	16.7	21.7	8.6	20.5	26
VOC 60 x 140	52	13.4	38.0	53.0	18.9	38.0	52
VOC 60 x 180	67	19.1	54.2	75.7	27	54.2	74

Dimensional Information

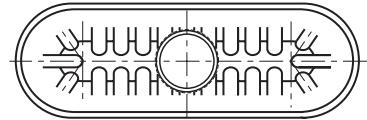
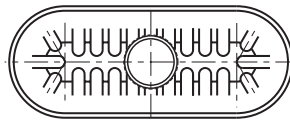
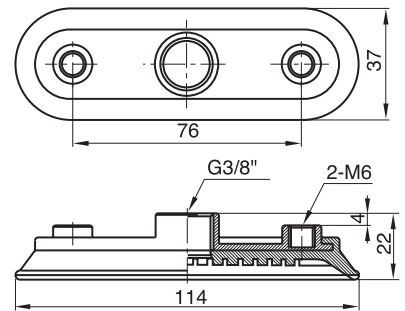
VOC 11x23



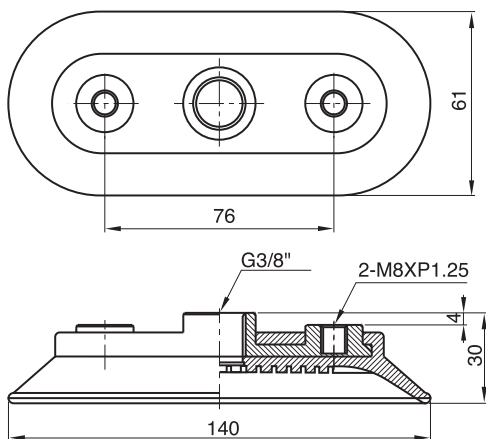
VOC 35x90



VOC 35x110



VOC 60x140



VOC 60x180

